

HC-D 7-KML-61/M1PG11/PA

Order No.: 1772308

<http://eshop.phoenixcontact.de/phoenix/treeViewClick.do?UID=1772308>

Coupling housing, with single locking latch, height 61 mm, with screw connection, 1x PG11, material PA

Commercial data

EAN	4017918036973
Pack	10 Pcs.
Customs tariff	85472000
Weight/Piece	0.03281 KG
Catalog page information	Page 423 (PC-2007)

Product notes

WEEE/RoHS-compliant since:
03/01/2006



<http://www.download.phoenixcontact.com>
Please note that the data given here has been taken from the online catalog. For comprehensive information and data, please refer to the user documentation. The General Terms and Conditions of Use apply to Internet downloads.

Technical data

General data

Note	For contact inserts HC-D7, D8, A3, A4
Design	D7
Height	61 mm
Width	26.5 mm

Length	26.5 mm
Housing type	Coupling housings
Locking type	With single locking latch
Type of the screw connection	1x Pg11
Pg screw connection	With
Wrench size, union nut	18 mm
External cable diameter	7.5 mm ... 12.5 mm
Degree of protection	IP54 / IP65 with sealing screw
Ambient temperature (operation)	-40 °C ... 125 °C
Housing material	PA
Housing surface material	PA, light gray
Screw connection material	PA
Cable seal material	NBR
Locking latch material	PA

Certificates / Approvals

Approval logo



requested approbations

Certification	GOST
---------------	------

Accessories

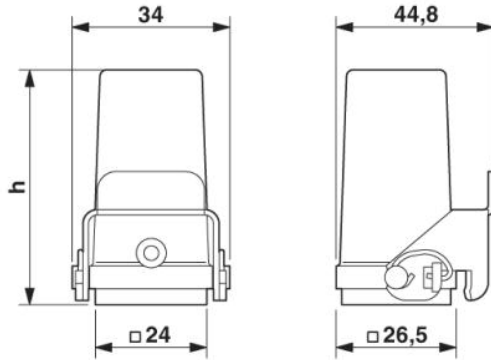
Item	Designation	Description
------	-------------	-------------

Assembly

1686229	HC-D 7-DS-IP65	Sealing screw, for IP65 protection
---------	----------------	------------------------------------

Drawings

Dimensioned drawing



Address

PHOENIX CONTACT GmbH & Co. KG
Flachmarktstr. 8
32825 Blomberg, Germany
Phone +49 5235 3 00
Fax +49 5235 3 41200
<http://www.phoenixcontact.com>



© 2008 Phoenix Contact
Technical modifications reserved;